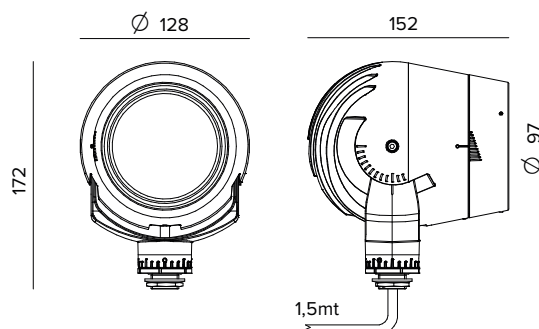


E012ZMTUWBT | VADER ONE

Adjustable outdoor professional projector equipped with a zoom optic. Tunable White and multiple dimmer protocols provide extreme flexibility in terms of optical accessories



The fixture's photometric values
can be found on the following pages



The figures on the drawing are expressed in mm.

SOURCE

High efficiency Chip on Board LED Ra90, Tunable White1800K-4000K.

Energy efficiency class: G

Nominal power: 13W (3000K)

Nominal flux: See photometries

Colour rendering index: 90

Rf: 96

Rg: 99

CCT nominal: See photometries

Lifetime (L80/B10): 86000h tq +25°C

ILLUMINOTECHNICAL CHARACTERISTICS

Zoom optic composed of three PMMA elements operating together, a fixed TIR lens and a second adjustable lens. Rotation of 22° using the front sealing ring of the second lens allows for the zoom range between the minimum and maximum beam opening respectively of 20° and 41°. Graduated adjustment scale with 2 steps. Optic group pre-set for the installation of one or more dedicated optical accessories to be ordered separately.

Optic: LENS

Beam angles: SP-MWFL

Optical efficiency: 64%

Fixture flux: See photometries

Luminous efficacy: See photometries

Photobiological safety: Compliant with RG1 low risk group

MECHANICAL CHARACTERISTICS

Die-cast aluminium body with 3 layers of protection: anodised, cataphoresis and black paint. The optical unit can be adjusted from -20° a +90° on the vertical plane and 355° on the horizontal plane with the possibility to block the beam. Extra-clear tempered front glass glued flush.

Colour and finish: Black

Weight: 2.15Kg

Degree of protection: IP66

Mechanical Resistance: IK09

ELECTRICAL CHARACTERISTICS

48V DC remote driver and control via the "Control Pod" smart dimming interface. The Control POD makes it possible to control products using DALI, 0-10V, 1-10V and DMX protocols.

Fixture Power: 15W

Power supply: 48Vdc

Insulation Class: CLASS 3

Driver included: NO

Class F: YES

Ambient temperature: -25°C / +50°C

INSTALLATION

The product can be installed combined with one of the various installation accessories, to be ordered separately. Surface installation on bases, stakes, bollards, trees and poles.

WARRANTY

5 years.

WARNING

Luminaire designed for disposal/recycling at end-of-life. Replaceable (LED only) light source by a professional. Replaceable control gear by a professional.

Due to the technological evolution of the electronic components, the data provided may be updated, and as such, confirmation must be requested during the order process.

Luminous flux and power supply have +/-10% tolerances with respect to the indicated value. tq +25°C (CIE 121).

We reserve the right to make technical changes.

Targetti Sankey S.r.l.
Via Pratese, 164
50145 Firenze - Italy
Tel: +39 055 37911
targetti.com
targetti@targetti.com

CCIAA Firenze
Share Capital:
€ 500.000,00
VAT N. (IT):
01537660480
R.E.A: FI-275656

TARGETTI

E012ZMTUWBT | VADER ONE

Adjustable outdoor professional projector equipped with a zoom optic. Tunable White and multiple dimmer protocols provide extreme flexibility in terms of optical accessories



1800K	H(m)	D(m)	Emax(lx)
Ra90		20°	
Fixture Power	15W	1	0.36
Source Flux	1069lm	2	0.72
Fixture Flux	687lm	3	1.07
Efficacy	45lm/W	4	1.43
TS1854	Imax=3249cd/klm	Imax	3473cd
		5	1.79



3000K	H(m)	D(m)	Emax(lx)
Ra90		20°	
Fixture Power	15W	1	0.36
Source Flux	1440lm	2	0.72
Fixture Flux	926lm	3	1.07
Efficacy	63lm/W	4	1.43
TS1854	Imax=3249cd/klm	Imax	4678cd
		5	1.79

SP / 18K

CCT nominal	1800K
Nominal flux	1069lm
Fixture flux	687lm
Luminous efficacy	45lm/W

SP / 30K

CCT nominal	3000K
Nominal flux	1440lm
Fixture flux	926lm
Luminous efficacy	63lm/W



4000K	H(m)	D(m)	Emax(lx)
Ra90		20°	
Fixture Power	15W	1	0.36
Source Flux	1670lm	2	0.72
Fixture Flux	1074lm	3	1.07
Efficacy	70lm/W	4	1.43
TS1854	Imax=3249cd/klm	Imax	5425cd
		5	1.79



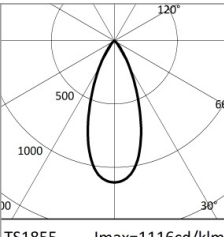
1800K	H(m)	D(m)	Emax(lx)
Ra90		41°	
Fixture Power	15W	1	0.75
Source Flux	1069lm	2	1.51
Fixture Flux	681lm	3	2.26
Efficacy	44lm/W	4	3.02
TS1855	Imax=1116cd/klm	Imax	1193cd
		5	3.77

SP / 40K

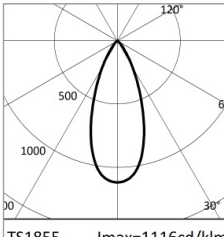
CCT nominal	4000K
Nominal flux	1670lm
Fixture flux	1074lm
Luminous efficacy	70lm/W

WFL / 18K

CCT nominal	1800K
Nominal flux	1069lm
Fixture flux	681lm
Luminous efficacy	44lm/W



3000K	H(m)	D(m)	Emax(lx)
Ra90		41°	
Fixture Power	15W	1	0.75
Source Flux	1440lm	2	1.51
Fixture Flux	917lm	3	2.26
Efficacy	62lm/W	4	3.02
TS1855	Imax=1116cd/klm	Imax	1606cd
		5	3.77



4000K	H(m)	D(m)	Emax(lx)
Ra90		41°	
Fixture Power	15W	1	0.75
Source Flux	1670lm	2	1.51
Fixture Flux	1064lm	3	2.26
Efficacy	69lm/W	4	3.02
TS1855	Imax=1116cd/klm	Imax	1863cd
		5	3.77

WFL / 30K

CCT nominal	3000K
Nominal flux	1440lm
Fixture flux	917lm
Luminous efficacy	62lm/W

WFL / 40K

CCT nominal	4000K
Nominal flux	1670lm
Fixture flux	1064lm
Luminous efficacy	69lm/W

Due to the technological evolution of the electronic components, the data provided may be updated, and as such, confirmation must be requested during the order process.
Luminous flux and power supply have +/-10% tolerances with respect to the indicated value. tq +25°C (CIE 121).

We reserve the right to make technical changes.

Targetti Sankey S.r.l.
Via Pratese, 164
50145 Firenze - Italy
Tel: +39 055 37911
targetti.com
targetti@targetti.com

CCIAA Firenze
Share Capital:
€ 500.000,00
VAT N. (IT):
01537660480
R.E.A: FI-275656

TARGETTI

E012ZMTUWBT | VADER ONE

Adjustable outdoor professional projector equipped with a zoom optic. Tunable White and multiple dimmer protocols provide extreme flexibility in terms of optical accessories

Related codes**Power Supply**

Dimensions LxHxP mm	Power	Power supply	Output voltage	IP	Code
225x36x60	60W	220-240Vac	48Vdc	IP20	1T6917EL
240x49x60	130W	220-240Vac	48Vdc	IP20	1T6916EL

Electronic ON-OFF power supply.

Dimensions LxHxP mm	Power	Power supply	Output voltage	IP	Code
225x51x65	70W	220-240Vac	48Vdc	IP67	1E2320
225x51x65	150W	220-240Vac	48Vdc	IP67	1E2321

Electronic ON-OFF power supply.
Cable length 0.5m (IN and OUT).**Control systems**

Code

A035

Control POD.

Multi-protocol command and control system for VADER projectors.

The Control POD was developed to make controlling a VADER projector system quick and easy.

The DALI, DMX and ANALOGICO 0-10V / 1-10V compatible protocols make it possible to integrate VADER projectors into a wide range of applications.

48V power supply.

Via DALI protocol, Control POD allows to control VADER projectors with the Casambi system using the accessory codes 1E3048 and 1E4369.

Accessories**Bracket**

Colour

Code

**A044BT**Bracket for surface installation.
Powder coated stainless steel.**Mounting System**

Colour

Code

**A040BT**Round base for surface installation of fixture.
Powder coated aluminium (with a stainless steel fixing bracket).

Colour

Code

**A041BT**Round base plate.
Powder coated stainless steel.
A041BT - To be completed with A040BT.

Due to the technological evolution of the electronic components, the data provided may be updated, and as such, confirmation must be requested during the order process.

Luminous flux and power supply have +/-10% tolerances with respect to the indicated value. tq +25°C (CIE 121).

We reserve the right to make technical changes.

Targetti Sankey S.r.l.
Via Pratese, 164
50145 Firenze - Italy
Tel: +39 055 37911
targetti.com
targetti@targetti.com

CCIAA Firenze
Share Capital:
€ 500.000,00
VAT N. (IT):
01537660480
R.E.A.: FI-275656

TARGETTI

E012ZMTUWBT | VADER ONE

Adjustable outdoor professional projector equipped with a zoom optic. Tunable White and multiple dimmer protocols provide extreme flexibility in terms of optical accessories

Mounting System



H mm	Colour	Code
244	●	A047BT
844	●	A048BT

Spike with base for surface installation.



H mm	Colour	Code
208	●	A050BT
808	●	A051BT

Earthspike.



Colour	Code
●	A042BT

Hexagonal base with a hole for projector surface installation.
Powder coated die-cast aluminium covering.
Stainless steel fixing base.



Colour	Code
●	A043BT

Blind hexagonal base.
Powder coated die-cast aluminium covering.
Stainless steel fixing base.



Colour	Code
●	A052BT

Pole attachment for a single projector.
Anodised and powder coated aluminium.
Pole Ø 60mm.



Colour	Code
●	A053BT

Pole attachment for two projectors.
Anodised and powder coated aluminium.
Pole Ø 60mm (+/-2mm).



Ø mm	H mm	Colour	Code
50	232	●	1E3785BT

Earthspike.
Powder coated stainless steel.

Bracket



Colour	Code
●	A049BT

Bracket for installation on trees.
To be completed with accessory strap A023.
Powder coated stainless steel.

Due to the technological evolution of the electronic components, the data provided may be updated, and as such, confirmation must be requested during the order process.
Luminous flux and power supply have +/-10% tolerances with respect to the indicated value. tq +25°C (CIE 121).

We reserve the right to make technical changes.

Targetti Sankey S.r.l.
Via Pratese, 164
50145 Firenze - Italy
Tel: +39 055 37911
targetti.com
targetti@targetti.com

CCIAA Firenze
Share Capital:
€ 500.000,00
VAT N. (IT):
01537660480
R.E.A: FI-275656

TARGETTI

E012ZMTUWBT | VADER ONE

Adjustable outdoor professional projector equipped with a zoom optic. Tunable White and multiple dimmer protocols provide extreme flexibility in terms of optical accessories

Mounting System



L mm	Code
2000	A023

Strap for tree bracket (tree installation).



Colour	Code
●	A045BT

Multiple base for surface installation of 2 projectors.
Powder coated stainless steel.



Colour	Code
●	A046BT

Multiple base for surface installation of 3 projectors.
Powder coated stainless steel.

Screen



Colour	Code
●	A036BT

Cylindrical screen.
Powder coated aluminium.
Short version.



Colour	Code
●	A037BT

Asymmetric screen.
Powder coated aluminium.



Colour	Code
●	A038BT

Cylindrical screen.
Powder coated aluminium.
Long version with prismatic glass.

Filter



Colour	Code
●	A039BT

Blade of light filter.
Refractive glass filter with blade of light effect.
Completed with powder coated aluminum alloy holder ring.

Due to the technological evolution of the electronic components, the data provided may be updated, and as such, confirmation must be requested during the order process.
Luminous flux and power supply have +/-10% tolerances with respect to the indicated value. tq +25°C (CIE 121).

We reserve the right to make technical changes.

Targetti Sankey S.r.l.
Via Pratese, 164
50145 Firenze - Italy
Tel: +39 055 37911
targetti.com
targetti@targetti.com

CCIAA Firenze
Share Capital:
€ 500.000,00
VAT N. (IT):
01537660480
R.E.A: FI-275656

TARGETTI

E012ZMTUWBT | VADER ONE

Adjustable outdoor professional projector equipped with a zoom optic. Tunable White and multiple dimmer protocols provide extreme flexibility in terms of optical accessories

Connector



Code

1E2494

Multiple connection box IP68.
1 IN - 3 OUT 4 poles max. wire section 2.5mm².
Cable diameter range from 6 to 12mm.



Code

1E2493

Linear connection box IP68.
4 poles max. wire section 2.5mm².
Cable diameter range from 7 to 12mm.

Tool



Code

1E3305

Tightening wrench for the connector kit.

Due to the technological evolution of the electronic components, the data provided may be updated, and as such, confirmation must be requested during the order process.
Luminous flux and power supply have +/-10% tolerances with respect to the indicated value. tq +25°C (CIE 121).

We reserve the right to make technical changes.

Targetti Sankey S.r.l.
Via Pratese, 164
50145 Firenze - Italy
Tel: +39 055 37911
targetti.com
targetti@targetti.com

CCIAA Firenze
Share Capital:
€ 500.000,00
VAT N. (IT):
01537660480
R.E.A: FI-275656

TARGETTI